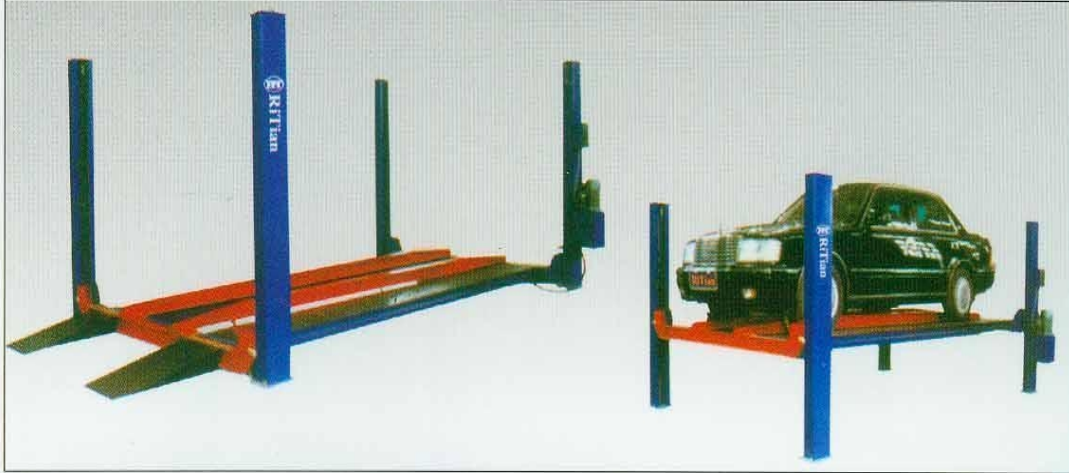


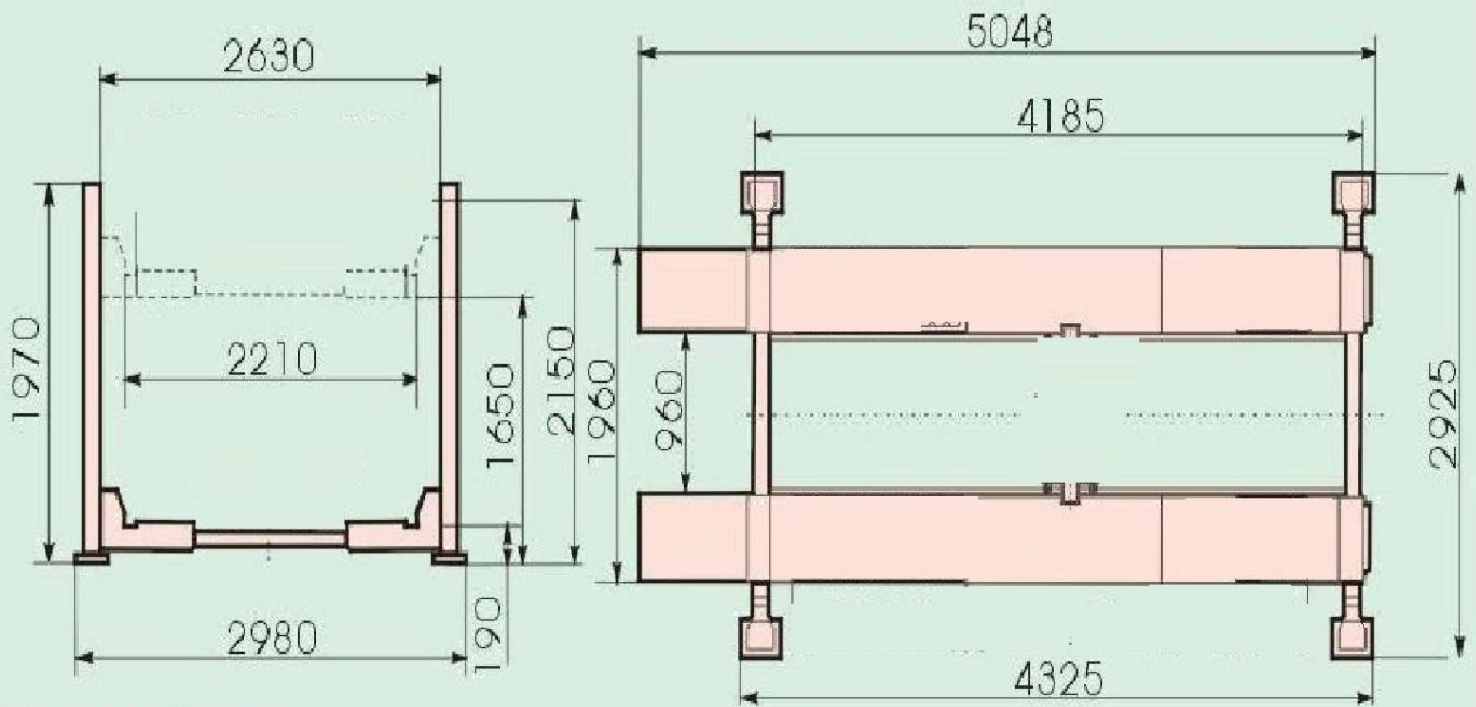
RiTian Brand Automobile Lift

QJY-3.5-4B Hydraulic Four-Post Lift



Features:

It has security mechanism. Such as locked upon the rope break, mechanic hooking and hydraulic self-locking. Which can be used for repairing chassis and tyres.



Technical Specifications

型号	QJY-3.5-4B	Remark	With branch beam				
Max. Lifting Weight Kg	3500	Max. Lifting Height Mm	1650	Voltage V	380	Weight Kg	1500