

GL3.5-2E1 Two Post Gantry Lift



Safety unit handle by one switch.



The arm is credible locking structure.



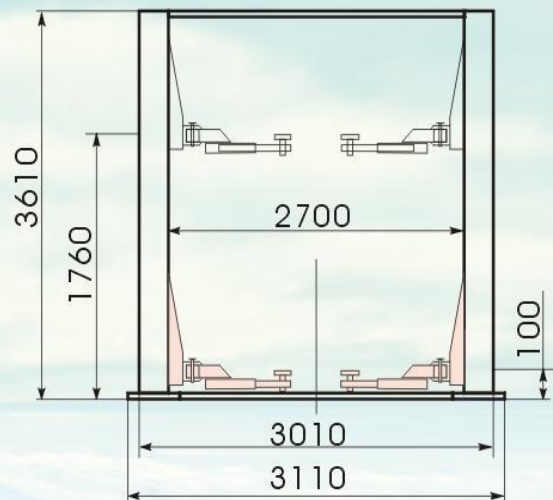
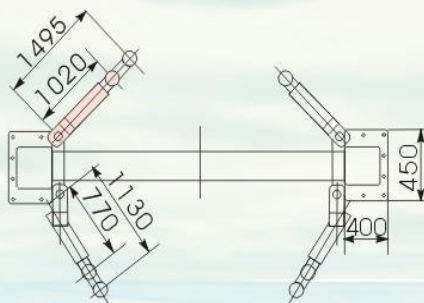
Adopt un-symmetry arm.



Features:

1. Safety unit of two columns is released by one switch controlling.
2. Lifting movement with hydraulic power on one piece formed steel post.
3. Double safety with self-locking devices on lifting chain and cable on both posts.
4. Adopt mechanical height limited safety devices.
5. Adopt un-symmetry arm to make lifting movement reliable.

Outline Drawing (unit mm)



Technical specifications:

| Parameter Model | Max.lifting weight(Kg) | Max.lifting height(mm) | Voltage(V) | Frequency (Hz) | Motor power(Kw) | Remark |
|-----------------|------------------------|------------------------|------------|----------------|-----------------|--------|
| GL3.5-2E1 | 3500 | 1760 | 380/220 | 50 | 2.2 | |