

GL3.2-2E Two Post Hydraulic Lift



12 Avonleigh Rd
Greenbay, Auckland
64 9 827 2235



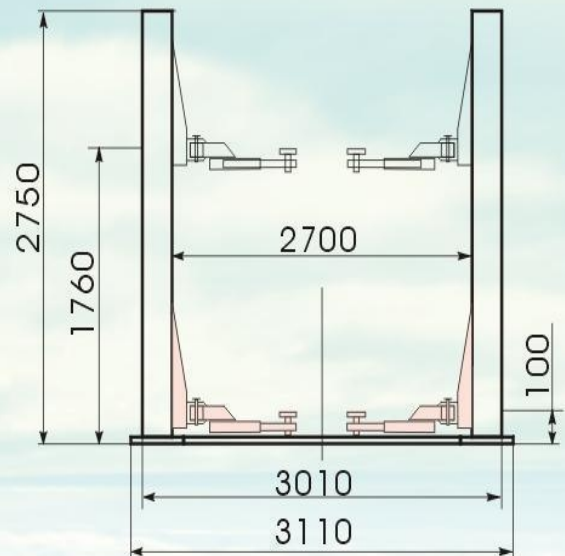
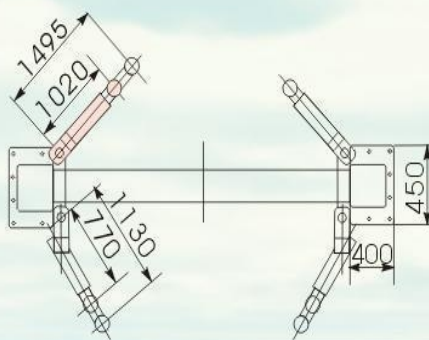
The arm is credible locking structure. Adopt un-symmetry arm.



Features:

1. One piece formed steel post, hydraulic pressure for lift drive.
2. Double safety with double locking devices on lifting chain and cable on both posts.
3. Use un-symmetry arm, the stabilization is better for lift drive.

Outline Drawing (unit mm)



Technical specifications:

Parameter Model	Max.lifting weight(Kg)	Max.lifting height(mm)	Voltage(V)	Frequency (Hz)	Motor power(Kw)	Remark
GL3.2-2E	3200	1760	380/220	50	2.2	chinese and imported pump optional